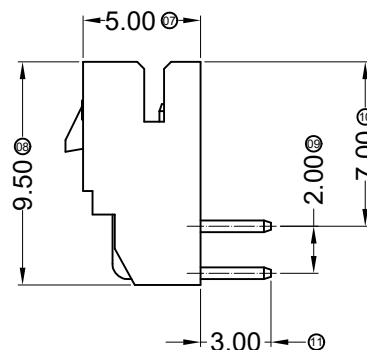
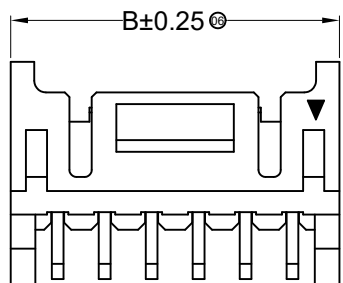


Specifications :

- Voltage rating: 250V AC / DC
- Current rating: 3A AC / DC
- Withstanding voltage: 800V AC/minute
- Temperature range: -25°C~+85°C
- Insulation resistance: ≥1000MΩ
- Contact resistance: ≤10mΩ
- After environmental testing: ≤20mΩ

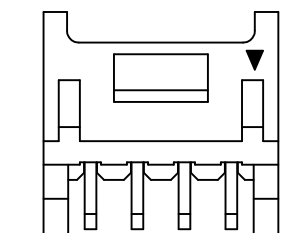


2026 W R X-2*XX B -N0 SN XX

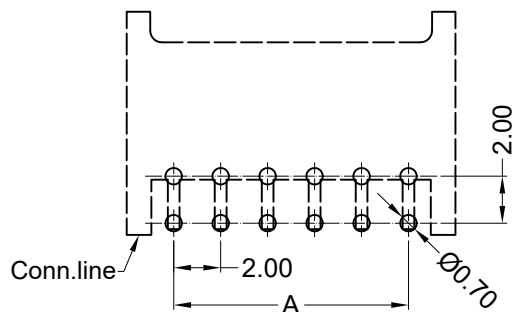
① ② ③ ④ ⑤ ⑥ ⑦ ⑧ ⑨

- ① Series No.
- ② Category: W-WAFER
- ③ Welding Board Angle: R-Right Angle 90°
- ④ Welding Way: Blank-DIP
- ⑤ Row No.-Pin No.: 2*XX-2*02P~2*25P
- ⑥ Plug the Pin & Special No.:
B- With Lock In the middle
- ⑦ Material: N0-PA66 94V-0
- ⑧ Plating Category: SN-Bright Tin Plating
- ⑨ Color : Blank-Natural Color

05P~13P Shape(Scale 1:1)



02P~04P Shape(Scale 1:1)




Recommended P.C.B Layout
General Tolerance±0.05

Poles	Dimensions (mm)			Poles	Dimensions (mm)			Poles	Dimensions (mm)		
	A	B	C		A	B	C		A	B	C
2*02	2.00	6.00	4.70	2*10	18.00	22.00	20.70	2*18	34.00	38.00	36.70
2*03	4.00	8.00	6.70	2*11	20.00	24.00	22.70	2*19	36.00	40.00	38.70
2*04	6.00	10.00	8.70	2*12	22.00	26.00	24.70	2*20	38.00	42.00	40.70
2*05	8.00	12.00	10.70	2*13	24.00	28.00	26.70	2*21	40.00	44.00	42.70
2*06	10.00	14.00	12.70	2*14	26.00	30.00	28.70	2*22	42.00	46.00	44.70
2*07	12.00	16.00	14.70	2*15	28.00	32.00	30.70	2*23	44.00	48.00	46.70
2*08	14.00	18.00	16.70	2*16	30.00	34.00	32.70	2*24	46.00	50.00	48.70
2*09	16.00	20.00	18.70	2*17	32.00	36.00	34.70	2*25	48.00	52.00	50.70

2026WR-2*XXB-N0SN	PA66 UL 94V-0	Brass	Tin-Plated	2026H-B
PART NO	Material	Material(Pin)	Finish(Pin)	Mates With ADZL Housing

DATE	OLD REV	NEW REV	ECN	DESCRIPTION	CHECK	APPROVAL

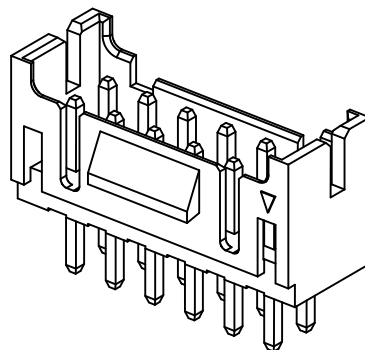
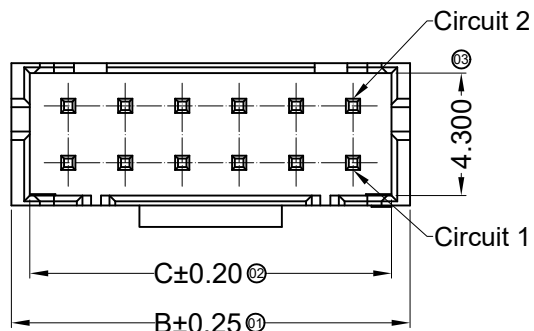
GENERAL TOLERANCE
.X ±0.30
.XX ±0.20
.XXX ±0.10

PROJECT


ADZL 东莞市思量连接器有限公司
DONGGUAN ADZL CONNECTORS CO.,LTD.

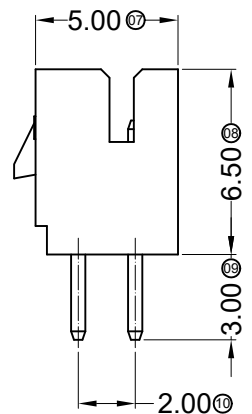
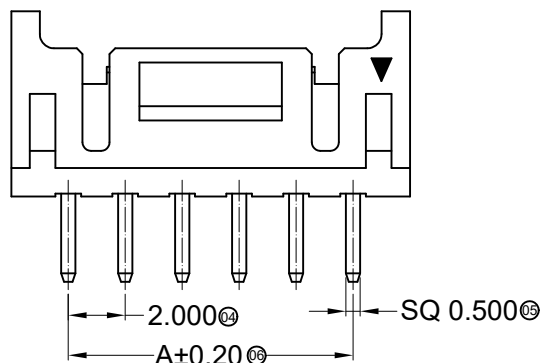
APPROVAL	CHECK	DRAWN	DATA
Ken	Zhao Hong	Allen	2014/07/01

PART NO. 2026WR-2*XXB-N0SN			
TITLE 2.00mm Crimp Style Connectors			
UNIT MM	SCALE 1 : 1	NUMBER	REV

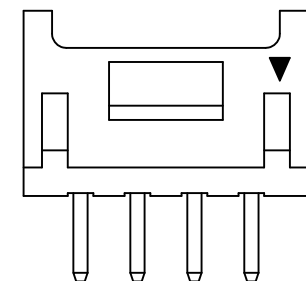


Specifications :

- Voltage rating: 250V AC / DC
- Current rating: 3A AC / DC
- Withstanding voltage: 800V AC/minute
- Temperature range: -25°C~+85°C
- Insulation resistance: ≥1000MΩ
- Contact resistance: ≤10mΩ
- After environmental testing: ≤20mΩ



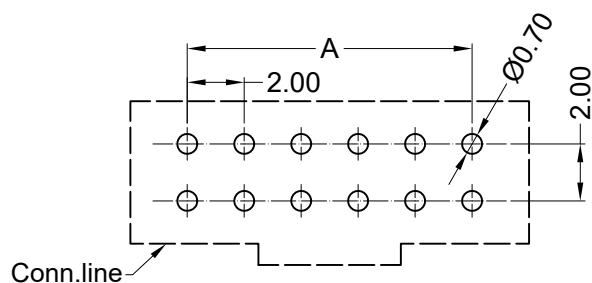
05P~13P Shape(Scale 1:1)



02P~04P Shape(Scale 1:1)

2026 W V X-2*XX B -N0 SN XX
① ② ③ ④ ⑤ ⑥ ⑦ ⑧ ⑨

- ① Series No.
- ② Category: W-WAFER
- ③ Welding Board Angle: V-Straight 180°
- ④ Welding Way: Blank-DIP
- ⑤ Row No.-Pin No.: 2*XX-2*02P~2*25P
- ⑥ Plug the Pin & Special No.:
B- With Lock In the middle
- ⑦ Material: N0-PA66 94V-0
- ⑧ Plating Category: SN-Bright Tin Plating
- ⑨ Color : Blank-White Color



Recommended P.C.B Layout
General Tolerance±0.05

Poles	Dimensions (mm)			Poles	Dimensions (mm)			Poles	Dimensions (mm)		
	A	B	C		A	B	C		A	B	C
2*02	2.00	6.00	4.70	2*10	18.00	22.00	20.70	2*18	34.00	38.00	36.70
2*03	4.00	8.00	6.70	2*11	20.00	24.00	22.70	2*19	36.00	40.00	38.70
2*04	6.00	10.00	8.70	2*12	22.00	26.00	24.70	2*20	38.00	42.00	40.70
2*05	8.00	12.00	10.70	2*13	24.00	28.00	26.70	2*21	40.00	44.00	42.70
2*06	10.00	14.00	12.70	2*14	26.00	30.00	28.70	2*22	42.00	46.00	44.70
2*07	12.00	16.00	14.70	2*15	28.00	32.00	30.70	2*23	44.00	48.00	46.70
2*08	14.00	18.00	16.70	2*16	30.00	34.00	32.70	2*24	46.00	50.00	48.70
2*09	16.00	20.00	18.70	2*17	32.00	36.00	34.70	2*25	48.00	52.00	50.70

2026WV-2*XXB-N0SN	PA66 UL 94V-0	Brass	Tin-Plated	2026H-B
PART NO	Material	Material(Pin)	Finish(Pin)	Mates With ADZL Housing

DATE	OLD REV	NEW REV	ECN	DESCRIPTION	CHECK	APPROVAL

GENERAL TOLERANCE
.X ±0.30
.XX ±0.20
.XXX ±0.10

PROJECT


 东莞市思量连接器有限公司
DONGGUAN ADZL CONNECTORS CO.,LTD.

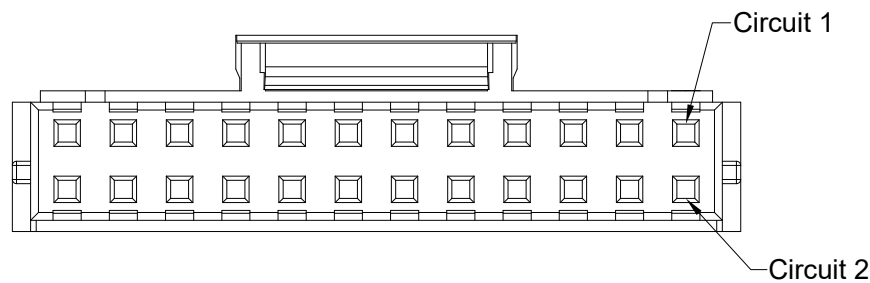
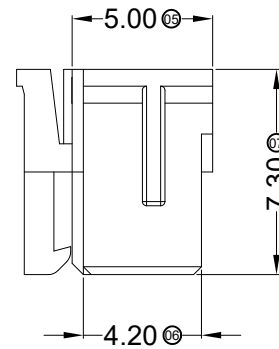
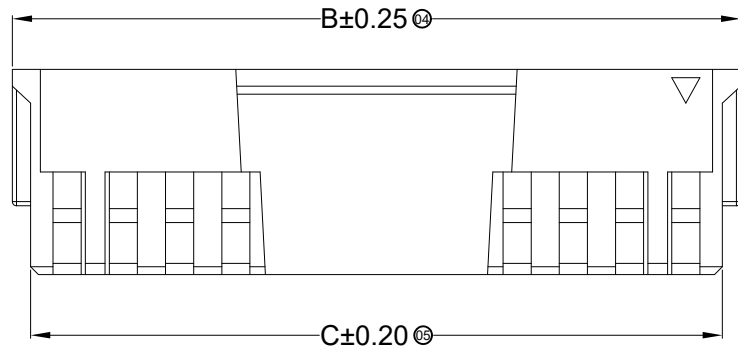
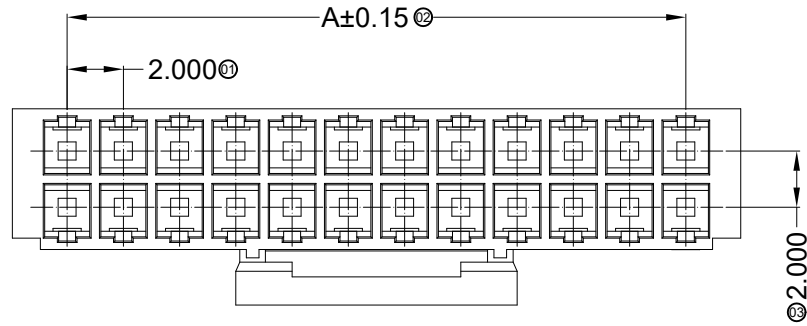
APPROVAL	CHECK	DRAWN	DATA
Ken	Zhao Hong	Allen	2014/06/30

PART NO. 2026WV-2*XXB-N0SN			
TITLE 2.00 mm Crimp Style Connectors			
UNIT MM	SCALE 1 : 1	NUMBER	REV

RoHS

WWW.ADZLCONN.COM

TEL:0769-82285488



Specifications :

- Voltage rating: 250V AC / DC
- Current rating: 3A AC / DC
- Withstanding voltage: 800V AC/minute
- Temperature range: -25°C~+85°C
- Insulation resistance: ≥1000MΩ
- Contact resistance: ≤10mΩ
- After environmental testing: ≤20mΩ

2026 H X-2*XX B-N0 XX

① ② ③ ④ ⑤ ⑥ ⑦

- ① Series No.
- ② Category: H-HSG
- ③ Appearance type: Blank-Ordinary
- ④ Row No.-Pin No.: 2*XX-2*02P~2*22P
- ⑤ Plug the Pin & special No.:
B-With Lock in the middle
- ⑥ Material: N0-PA66 94V-0
- ⑦ Color: Blank-Natural Color ; BK-Black

Poles	Dimensions (mm)			Poles	Dimensions (mm)		
	A	B	C		A	B	C
2*02	2.00	5.90	4.60	2*13	24.00	27.90	26.60
2*03	4.00	7.90	6.60	2*14	26.00	29.90	28.60
2*04	6.00	9.90	8.60	2*15	28.00	31.90	30.60
2*05	8.00	11.90	10.60	2*16	30.00	33.90	32.60
2*06	10.00	13.90	12.60	2*17	32.00	35.90	34.60
2*07	12.00	15.90	14.60	2*18	34.00	37.90	36.60
2*08	14.00	17.90	16.60	2*19	36.00	39.90	38.60
2*09	16.00	19.90	18.60	2*20	38.00	41.90	40.60
2*10	18.00	21.90	20.60	2*21	40.00	43.90	42.60
2*11	20.00	23.90	22.60	2*22	42.00	45.90	44.60
2*12	22.00	25.90	24.60				

2026H-2*XXB-N0BK	Nylon 66 UL 94V-0 (Black)	2026T-A	2026W-B
2026H-2*XXB-N0	Nylon 66 UL 94V-0		
PART NO	Material	Suitable ADZL Terminal	Mates With ADZL Wafer

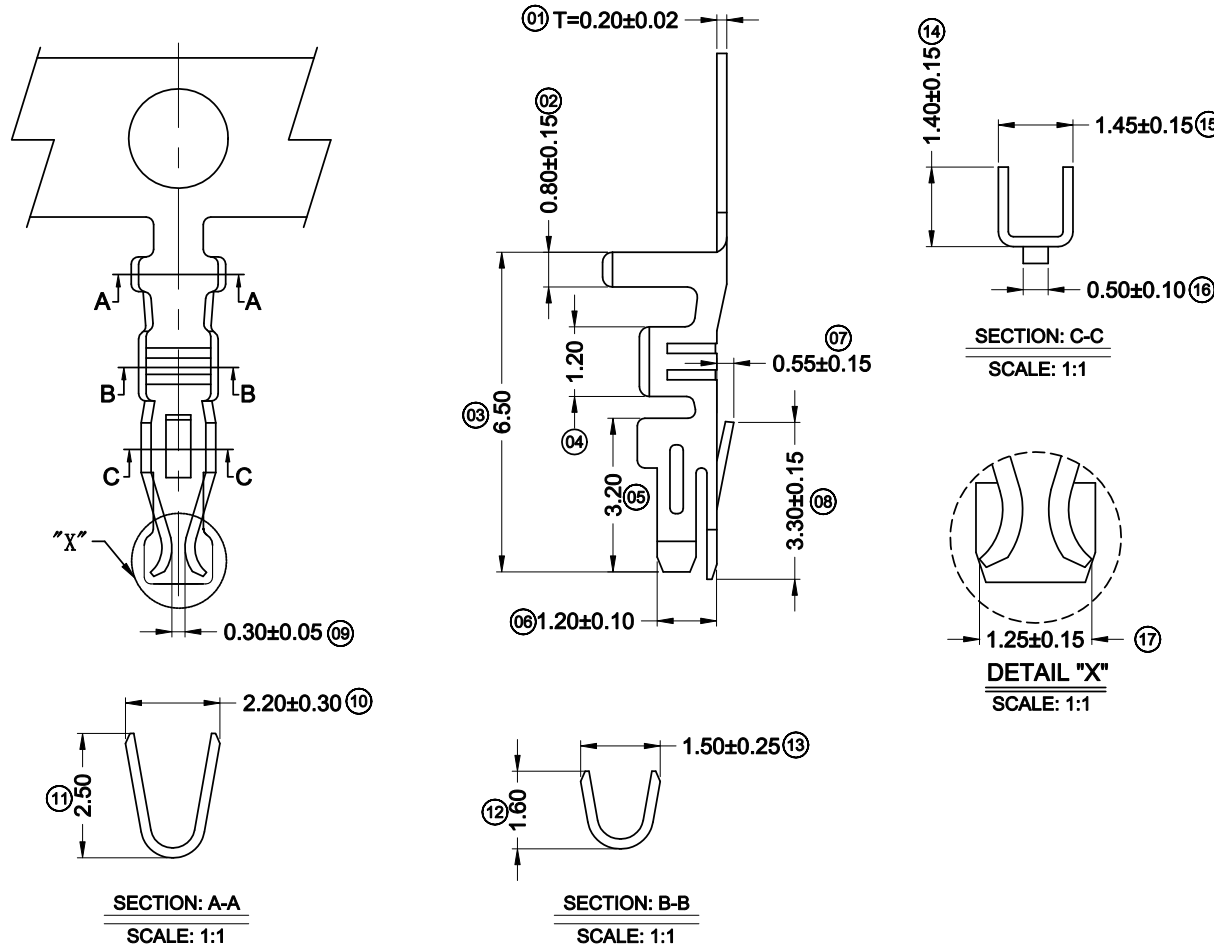
DATE	OLD REV	NEW REV	ECN	DESCRIPTION	CHECK	APPROVAL

GENERAL TOLERANCE	
.X	±0.30
.XX	±0.20
.XXX	±0.10
PROJECT	

ADZL 东莞市思量连接器有限公司
DONGGUAN ADZL CONNECTORS CO.,LTD.

APPROVAL	CHECK	DRAWN	DATA
Ken	Zhao Hong	Allen	2017/05/03

PART NO. 2026H-2*XXB-N0XX			
TITLE 2.00mm Crimp Style Connectors			
UNIT MM	SCALE 1:1	NUMBER	REV



■ Specifications :

- Voltage rating: 250V AC / DC
- Current rating: 3A AC / DC
- Withstanding voltage: 1000V AC/minute
- Temperature range: -25°C~+85°C
- Insulation resistance: ≥1000MΩ
- Contact resistance: ≤30mΩ
- After environmental testing: ≤50mΩ

2026 T X-P SN X-A

① ② ③ ④ ⑤ ⑥ ⑦

- ① Series No.
- ② Category: T-Terminal
- ③ Appearance type: Blank-Ordinary
- ④ Material: P-Phosphor bronze
B-Brass
- ⑤ Plating Style: G**-Gold Plated Contact
V**- All Gold-Plated
01-Gold Flash 02-2u" 03-3u"
05-5u" 10-10u" 15-15u"
SN-Bright Tin Plating (70-120u")
SN1-Bright Tin Plating (120u" Min).
0-No Plating Material
SW- Fog Tin Plating
- ⑥ Plating Method : Blank-Stamping before Plating
B-Plating before stamping
- ⑦ Mold No./Mark/Special No.
A-Mating With Lock Housing

2026T-PSN-A	Phosphor Bronze	AWG#22-28	1.50mm(Max)	Stamping before plating:30-50u" Ni;70-120u"Sn	2026H-B	10,000Pcs
PART NO	Material	Wire Range	Insulation O.D.	Finish	Used In ADZL Housing	Q'ty/Reel

							GENERAL TOLERANCE		PART NO. 2026T-PSN-A							
							X ±0.30		TITLE 2.00 mm Crimp Style Connector							
							.XX ±0.20		APPROVAL Ken		CHECK Zhao Hong		DRAWN Allen		DATA 2011/08/01	
							.XXX ±0.10		PROJECT		UNIT MM		SCALE 1:1		NUMBER 8	
DATE	OLD REV	NEW REV	ECN	DESCRIPTION	CHECK	APPROVAL	PROJECT		UNIT MM		SCALE 1:1		NUMBER 8		REV	

