

RoHS

WWW.ADZLCONN.COM

TEL:0769-82285488

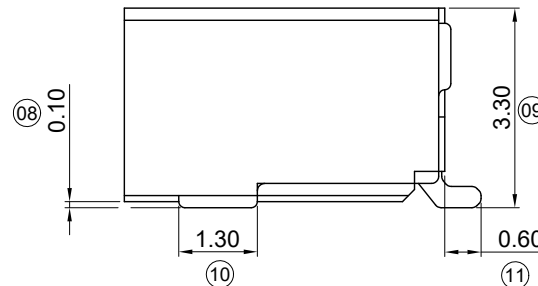
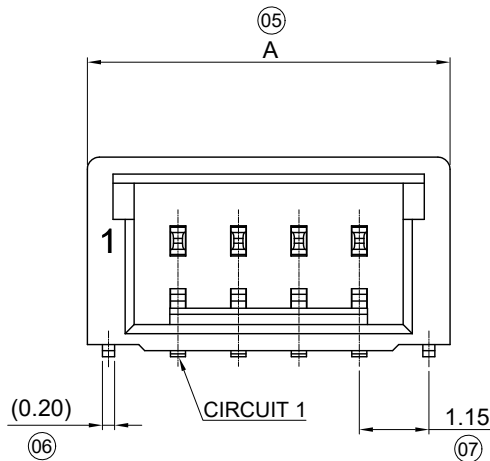
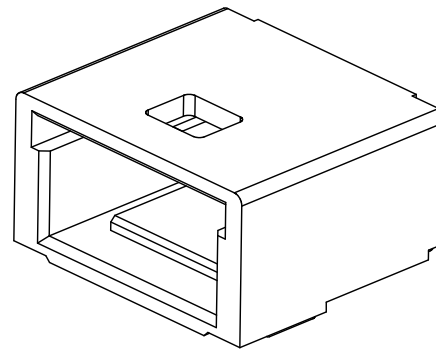
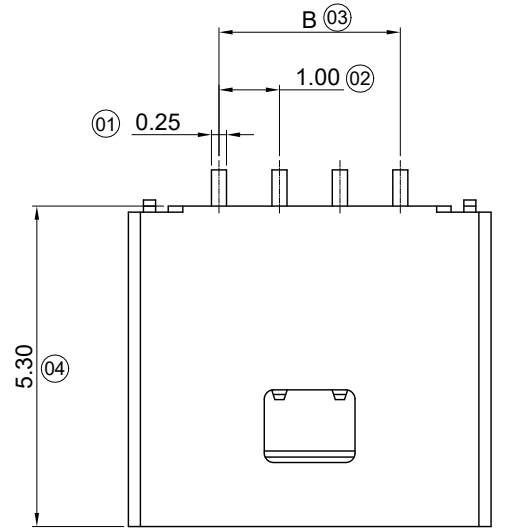
Specifications :

- Voltage rating: 100V AC / DC
- Current rating: 1A Max. AC / DC
- Withstanding voltage: 300V AC/minute
- Temperature range: -40°C~+105°C
- Insulation resistance: ≥100MΩ
- Contact resistance: ≤20mΩ
- After environmental testing: ≤40mΩ
- Material(Pin): Phosphor bronze
- Mates With ADZL Housing: 1004H

1004 W R S - XX X HF - 4T XXX E R
 ① ② ③ ④ ⑤ ⑥ ⑦ ⑧ ⑨ ⑩ ⑪

- ① Series No.
- ② Category: W-wafer
- ③ Connector Type: R-Right Angle 90°
- ④ Mounting Type: S-SMT
- ⑤ Row No.-Pin No: XX-02-15Pin
- ⑥ Special code: A-Inner Lock
- ⑦ HF-Halogen Free
- ⑧ Plastic material: 4T- PA4T UL94V-0
- ⑨ Plating Code:
 SW1-Matte Tin plating 100u" Min. overall,
 Ni50u" Min. under plating.
 V01-G/F plating overall, Ni50u" Min. under plating.
 V15-Au15u" Min.plating on contact area,
 G/F plating on solder area,
 Ni50u" Min. under plating.
 V30-Au30u" Min.plating on contact area,
 G/F plating on solder area,
 Ni50u" Min. under plating.
- ⑩ Color: E-Becky color
- ⑪ Packing: R-Reel

Poles	Dimensions (mm)	
	A	B
2	4.00	1.00
3	5.00	2.00
4	6.00	3.00
5	7.00	4.00



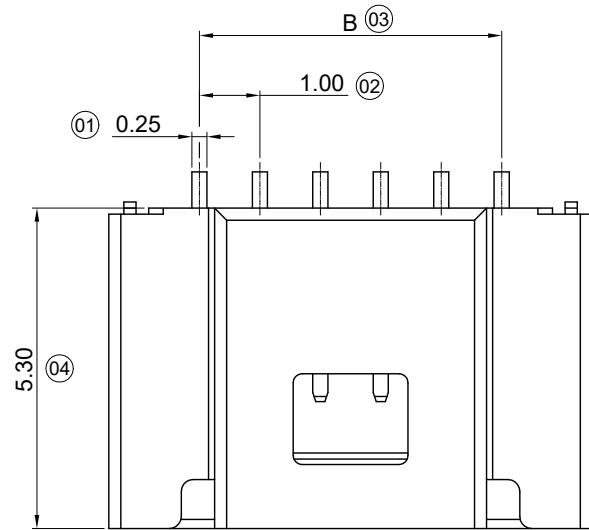
DATE	REV	ECN NO	DESCRIPTION	MODIFY	APPROVAL
1		2		4	5

GENERAL TOLERANCE	
.X	±0.35
.XX	±0.25
.XXX	±0.15
X.°	±2°
PROJECT	

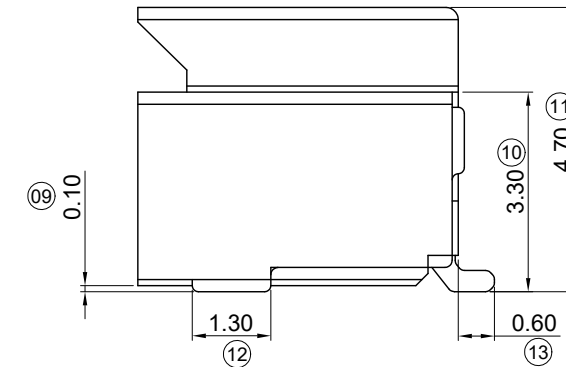
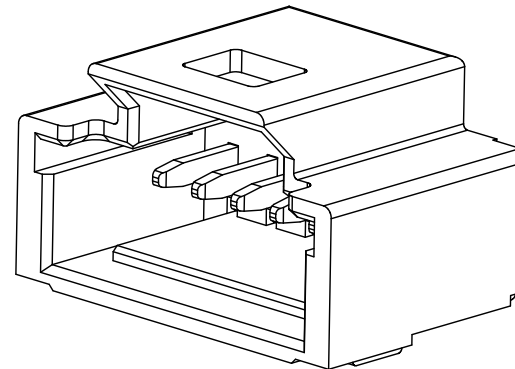
ADZL 东莞市思量连接器有限公司
 DONGGUAN ADZL CONNECTORS CO.,LTD.

APPROVAL	CHECK	DRAWN	DATE
Ken	Zhao Hong	Allen	2021/04/02

PART NO.				
1004WRS-XXHF-4TXXXER				
TITLE				
1.00mm Crimp Style Connectors				
UNIT	SCALE	SHEET	REV	NUMBER
mm	8:1	1/3		



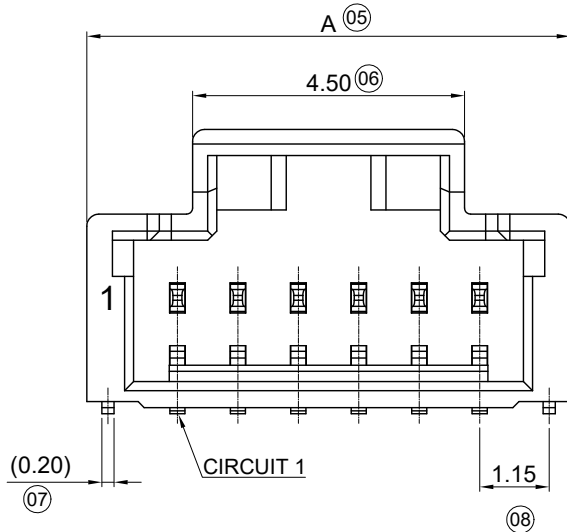
Poles	Dimensions (mm)		Poles	Dimensions (mm)	
	A	B		A	B
6	8.00	5.00	11	13.00	10.00
7	9.00	6.00	12	14.00	11.00
8	10.00	7.00	13	15.00	12.00
9	11.00	8.00	14	16.00	13.00
10	12.00	9.00	15	17.00	14.00



- Specifications :
- Voltage rating: 100V AC / DC
 - Current rating: 1A Max. AC / DC
 - Withstanding voltage: 300V AC/minute
 - Temperature range: -40°C~+105°C
 - Insulation resistance: ≥100MΩ
 - Contact resistance: ≤20mΩ
 - After environmental testing: ≤40mΩ
 - Material(Pin): Phosphor bronze
 - Mates With ADZL Housing: 1004H

1004 W R S - XX A HF - 4T XXX E R
 ① ② ③ ④ ⑤ ⑥ ⑦ ⑧ ⑨ ⑩ ⑪

- ① Series No.
- ② Category: W-wafer
- ③ Connector Type: R-Right Angle 90°
- ④ Mounting Type: S-SMT
- ⑤ Row No.-Pin No: XX-02-15Pin
- ⑥ Special code: A-Inner Lock
- ⑦ HF-Halogen Free
- ⑧ Plastic material: 4T- PA4T UL94V-0
- ⑨ Plating Code:
 - SW1-Matte Tin plating 100u" Min. overall, Ni50u" Min. under plating.
 - V01-G/F plating overall, Ni50u" Min. under plating.
 - V15-Au15u" Min. plating on contact area, G/F plating on solder area, Ni50u" Min. under plating.
 - V30-Au30u" Min. plating on contact area, G/F plating on solder area, Ni50u" Min. under plating.
- ⑩ Color: E-Becky color
- ⑪ Packing: R-Reel



					GENERAL TOLERANCE .X ±0.35 .XX ±0.25 .XXX ±0.15 X.° ±2° PROJECT				PART NO. 1004WRS-XXAHF-4TXXXER TITLE 1.00mm Crimp Style Connectors				
					APPROVAL Ken				CHECK Zhao Hong				
					DRAWN Allen				DATE 2021/04/02				
DATE	REV	ECN NO	DESCRIPTION	MODIFY	APPROVAL	UNIT	SCALE	SHEET	REV	NUMBER			
1		2	3	4	5	mm	8:1	2/3					

ADZL 东莞市思量连接器有限公司
 DONGGUAN ADZL CONNECTORS CO.,LTD.

APPROVAL CHECK DRAWN DATE

Ken Zhao Hong Allen 2021/04/02

UNIT SCALE SHEET REV NUMBER

mm 8:1 2/3

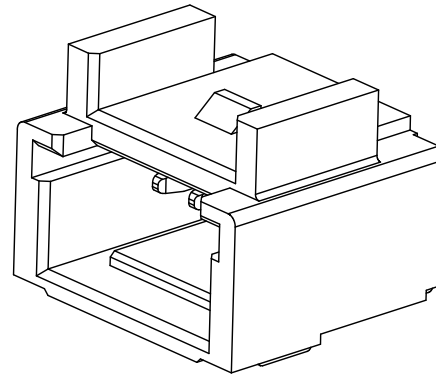
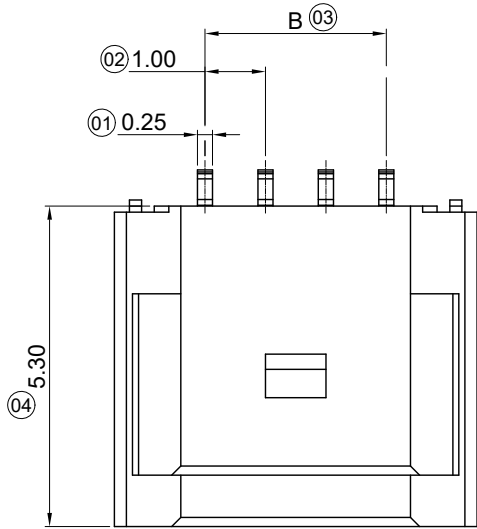
RoHS

WWW.ADZLCONN.COM

TEL:0769-82285488

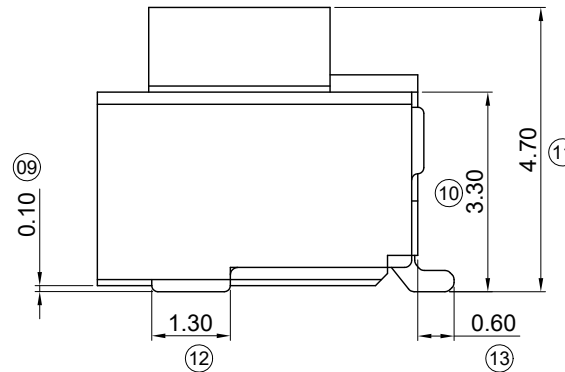
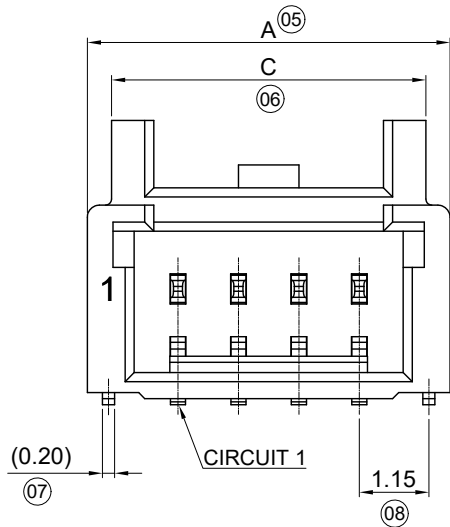
Specifications :

- Voltage rating: 100V AC / DC
- Current rating: 1A Max. AC / DC
- Withstanding voltage: 300V AC/minute
- Temperature range: -40°C~+105°C
- Insulation resistance: ≥100MΩ
- Contact resistance: ≤20mΩ
- After environmental testing: ≤40mΩ
- Material(Pin): Phosphor bronze
- Mates With ADZL Housing: 1004H



1004 W R S - XX B HF - 4T XXX E R
 ① ② ③ ④ ⑤ ⑥ ⑦ ⑧ ⑨ ⑩ ⑪

- ① Series No.
- ② Category: W-wafer
- ③ Connector Type: R-Right Angle 90°
- ④ Mounting Type: S-SMT
- ⑤ Row No.-Pin No: XX-02-15Pin
- ⑥ Special code: B-Outer Lock
- ⑦ HF-Halogen Free
- ⑧ Plastic material: 4T- PA4T UL94V-0
- ⑨ Plating Code:
 SW1-Matte Tin plating 100u" Min. overall,
 Ni50u" Min. under plating.
 V01-G/F plating overall, Ni50u" Min. under plating.
 V15-Au15u" Min.plating on contact area,
 G/F plating on solder area,
 Ni50u" Min. under plating.
 V30-Au30u" Min.plating on contact area,
 G/F plating on solder area,
 Ni50u" Min. under plating.
- ⑩ Color: E-Becky color
- ⑪ Packing: R-Reel



Poles	Dimensions (mm)		
	A	B	C
3	5.00	2.00	4.20
4	6.00	3.00	5.20
5	7.00	4.00	5.20

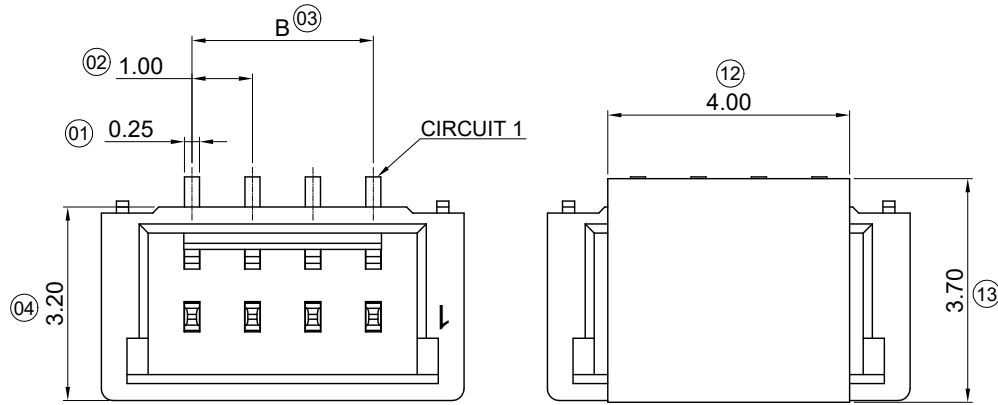
DATE	REV	ECN NO	DESCRIPTION	MODIFY	APPROVAL
1					
2					
3					
4					

GENERAL TOLERANCE	
.X	±0.35
.XX	±0.25
.XXX	±0.15
X.°	±2°
PROJECT	

ADZL 东莞市思量连接器有限公司
 DONGGUAN ADZL CONNECTORS CO.,LTD.

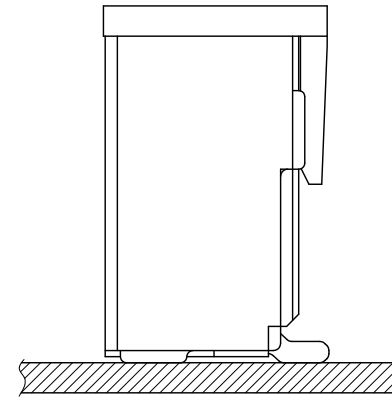
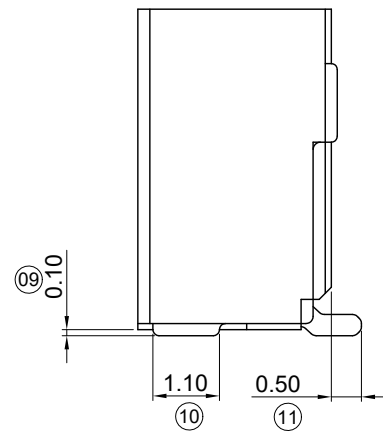
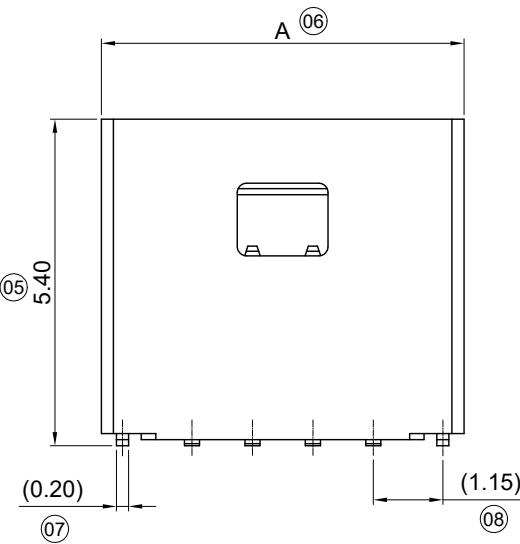
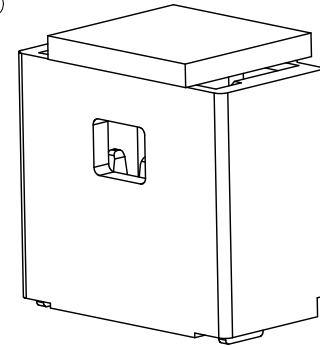
APPROVAL	CHECK	DRAWN	DATE
Ken	Zhao Hong	Allen	2021/04/02

PART NO.				
1004WRS-XXBHF-4TXXXER				
TITLE				
1.00mm Crimp Style Connectors				
UNIT	SCALE	SHEET	REV	NUMBER
mm	8:1	1/2		



Poles	Dimensions (mm)	
	A	B
2	4.00	1.00
3	5.00	2.00
4	6.00	3.00
5	7.00	4.00

PICK AND PLACE AREA WITH CAP



Specifications :

- Voltage rating: 100V AC / DC
- Current rating: 1A Max. AC / DC
- Withstanding voltage: 300V AC/minute
- Temperature range: -40°C~+105°C
- Insulation resistance: ≥100MΩ
- Contact resistance: ≤20mΩ
- After environmental testing: ≤40mΩ
- Material(Pin): Phosphor bronze
- Mates With ADZL Housing: 1004H

1004 W V S - XX X HF - 4T XXX E C
 ① ② ③ ④ ⑤ ⑥ ⑦ ⑧ ⑨ ⑩ ⑪

- ① Series No.
- ② Category: W-wafer
- ③ Connector Type: V- 180°
- ④ Mounting Type: S-SMT
- ⑤ Row No.-Pin No: XX-02-15Pin
- ⑥ Special code: A-Inner Lock
- ⑦ HF-Halogen Free
- ⑧ Plastic material: 4T- PA4T UL94V-0
- ⑨ Plating Code:
 SW1-Matte Tin plating 100u" Min. overall,
 Ni50u" Min. under plating.
 V01-G/F plating overall, Ni50u" Min. under plating.
 V15-Au15u" Min. plating on contact area,
 G/F plating on solder area,
 Ni50u" Min. under plating.
 V30-Au30u" Min. plating on contact area,
 G/F plating on solder area,
 Ni50u" Min. under plating.
- ⑩ Color: E-Becky color
- ⑪ Packing: C-Carrier tape (with CAP)

DATE	REV	ECN NO	DESCRIPTION	MODIFY	APPROVAL
1					

GENERAL TOLERANCE	
.X	±0.35
.XX	±0.25
.XXX	±0.15
X.°	±2°
PROJECT	



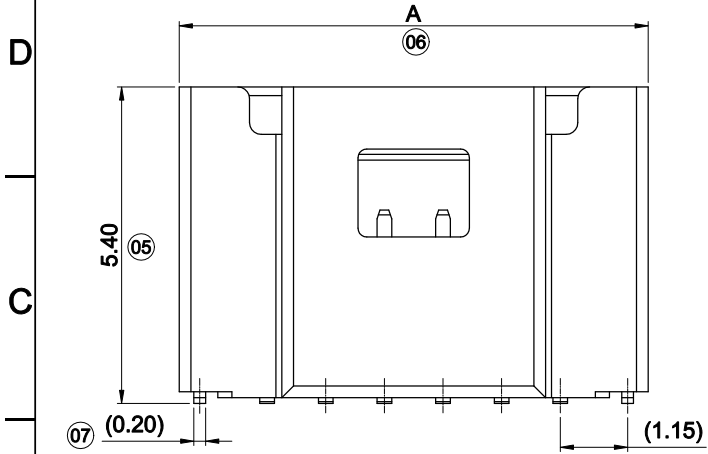
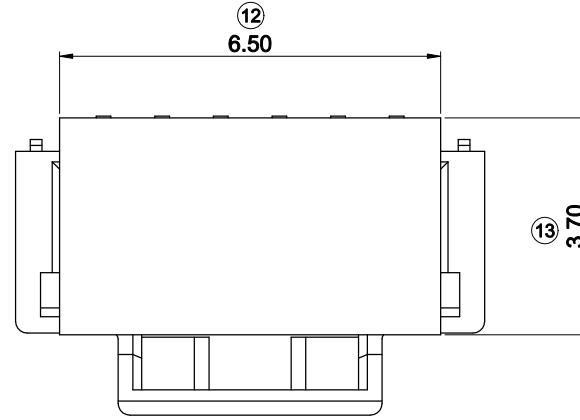
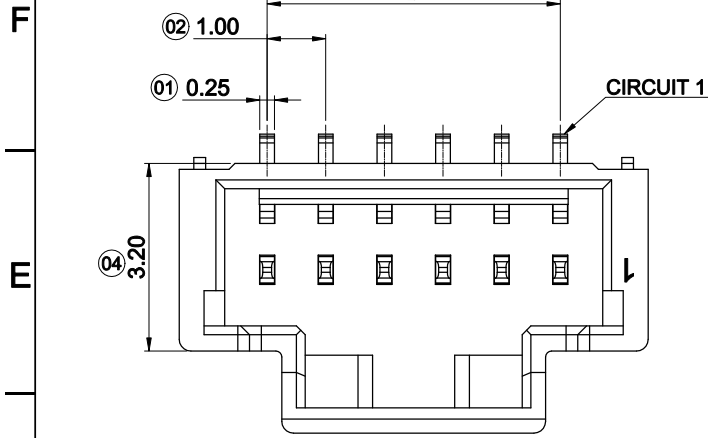
APPROVAL	CHECK	DRAWN	DATE
Ken	Zhao Hong	Allen	2021/04/02

PART NO.				
1004WVS-XXHF-4TXXXEC				
TITLE				
1.00mm Crimp Style Connectors				
UNIT	SCALE	SHEET	REV	NUMBER
mm	8:1	1/3		

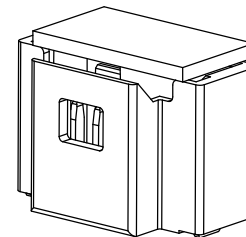
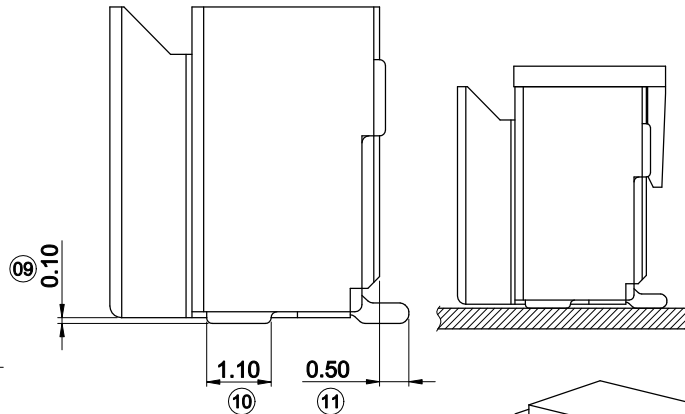
RoHS

WWW.ADZLCONN.COM

TEL:0769-82285488



PICK AND PLACE AREA WITH CAP



Specifications :

- Voltage rating: 100V AC / DC
- Current rating: 1A Max. AC / DC
- Withstanding voltage: 300V AC/minute
- Temperature range: -40°C~+105°C
- Insulation resistance: ≥100MΩ
- Contact resistance: ≤20mΩ
- After environmental testing: ≤40mΩ
- Material(Pin): Phosphor bronze
- Mates With ADZL Housing: 1004H-A

1004 W V S - XX A HF - 4T XXX E C
 ① ② ③ ④ ⑤ ⑥ ⑦ ⑧ ⑨ ⑩ ⑪

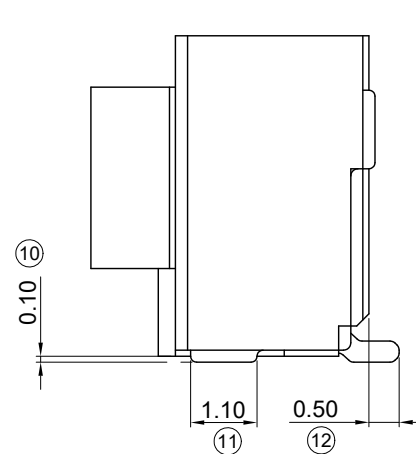
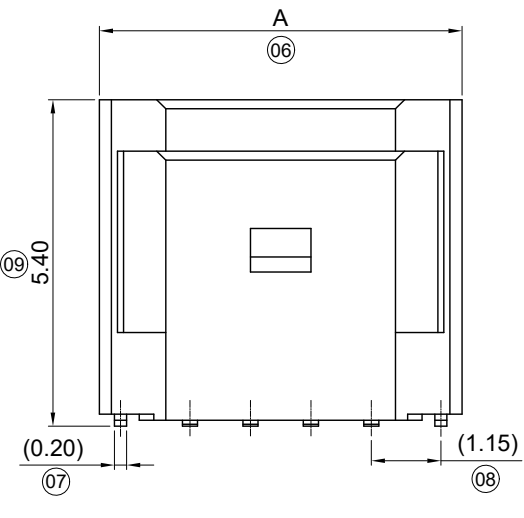
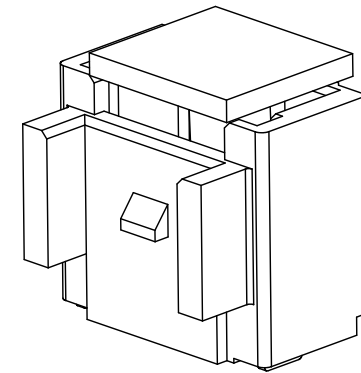
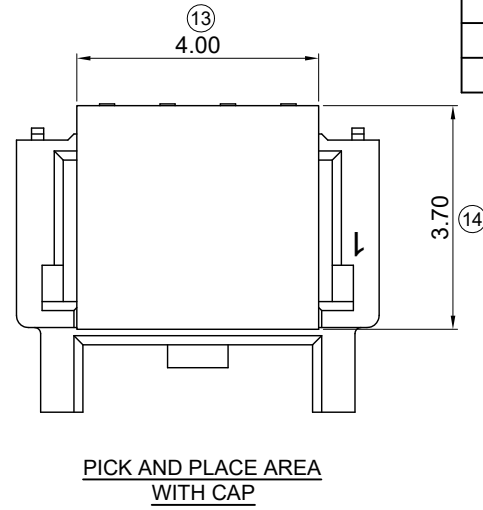
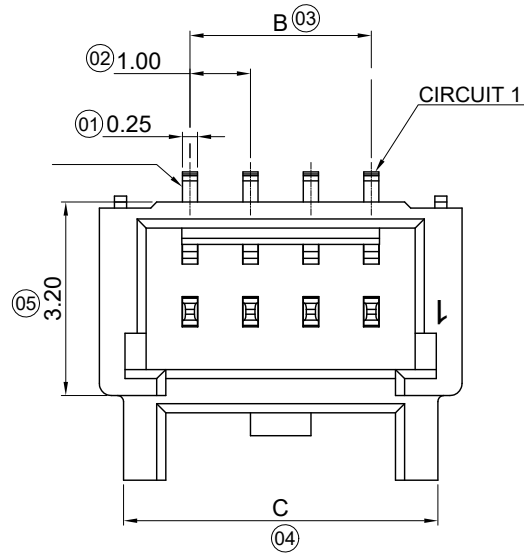
- ① Series No.
- ② Category: W-wafer
- ③ Connector Type: V- 180°
- ④ Mouting Type: S-SMT
- ⑤ Row No.-Pin No: XX-02-15Pin
- ⑥ Special code: A-Inner Lock
- ⑦ HF-Halogen Free
- ⑧ Plastic material: 4T- PA4T UL94V-0
- ⑨ Plating Code:
 SW1-Matte Tin plating 100u" Min. overall,
 Ni50u" Min. under plating.
 V01-G/F plating overall, Ni50u" Min. under plating.
 V15-Au15u" Min.plating on contact area,
 G/F plating on solder area,
 Ni50u" Min. under plating.
 V30-Au30u" Min.plating on contact area,
 G/F plating on solder area,
 Ni50u" Min. under plating.
- ⑩ Color: E-Becky color
- ⑪ Packing: C-Carrier tape (with CAP)

Poles	Dimensions (mm)		Poles	Dimensions (mm)	
	A	B		A	B
6	8.00	5.00	11	13.00	10.00
7	9.00	6.00	12	14.00	11.00
8	10.00	7.00	13	15.00	12.00
9	11.00	8.00	14	16.00	13.00
10	12.00	9.00	15	17.00	14.00

					GENERAL TOLERANCE .X ±0.35 .XX ±0.25 .XXX ±0.15 X° ±2°				PART NO. 1004WVS-XXAHF-4TXXXEC							
					APPROVAL CHECK DRAWN DATE				TITLE 1.00mm Crimp Style Connectors							
DATE	REV	ECN NO	DESCRIPTION	MODIFY	APPROVAL	PROJECT	Ken	Zhao Hong			2021/04/02	UNIT	SCALE	SHEET	REV	NUMBER
1												mm	8:1	2/3	A0	A-082



Poles	Dimensions (mm)		
	A	B	C
3	5.00	2.00	4.20
4	6.00	3.00	5.20
5	7.00	4.00	5.20



Specifications :

- Voltage rating: 100V AC / DC
- Current rating: 1A Max. AC / DC
- Withstanding voltage: 300V AC/minute
- Temperature range: -40°C~+105°C
- Insulation resistance: ≥100MΩ
- Contact resistance: ≤20mΩ
- After environmental testing: ≤40mΩ
- Material(Pin): Phosphor bronze
- Mates With ADZL Housing: 1004H

1004 W V S - XX B HF - 4T XXX E C
 ① ② ③ ④ ⑤ ⑥ ⑦ ⑧ ⑨ ⑩ ⑪

- ① Series No.
- ② Category: W-wafer
- ③ Connector Type: V- 180°
- ④ Mounting Type: S-SMT
- ⑤ Row No.-Pin No: XX-02-15Pin
- ⑥ Special code: B-Outer Lock
- ⑦ HF-Halogen Free
- ⑧ Plastic material: 4T- PA4T UL94V-0
- ⑨ Plating Code:
 SW1-Matte Tin plating 100u" Min. overall,
 Ni50u" Min. under plating.
 V01-G/F plating overall, Ni50u" Min. under plating.
 V15-Au15u" Min.plating on contact area,
 G/F plating on solder area,
 Ni50u" Min. under plating.
 V30-Au30u" Min.plating on contact area,
 G/F plating on solder area,
 Ni50u" Min. under plating.
- ⑩ Color: E-Becky color
- ⑪ Packing: C-Carrier tape (with CAP)

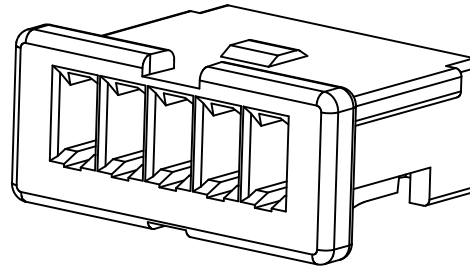
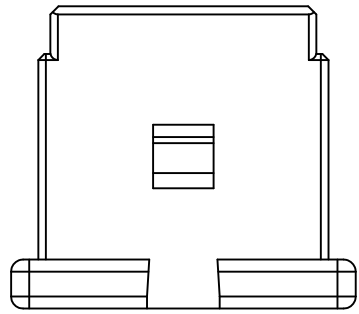
DATE	REV	ECN NO	DESCRIPTION	MODIFY	APPROVAL

GENERAL TOLERANCE	
.X	±0.35
.XX	±0.25
.XXX	±0.15
X.°	±2°
PROJECT	



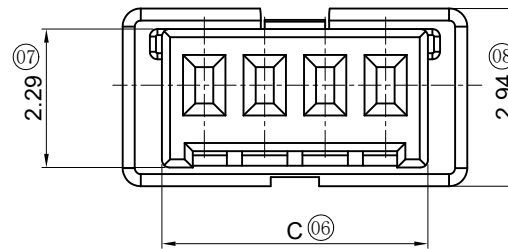
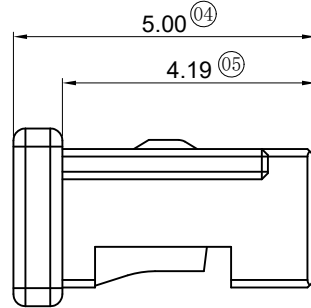
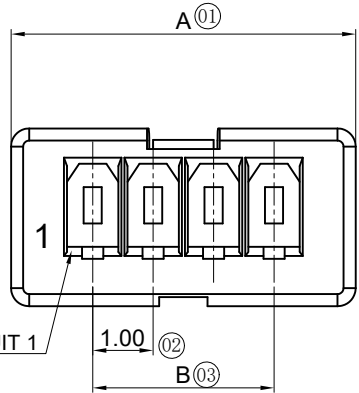
APPROVAL	CHECK	DRAWN	DATE
Ken	Zhao Hong	Allen	2021/04/02

PART NO.				
1004WVS-XXBHF-4TXXXEC				
TITLE				
1.00mm Crimp Style Connectors				
UNIT	SCALE	SHEET	REV	NUMBER
mm	8:1	1/2		



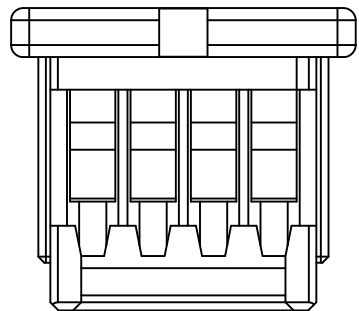
■ Specifications :

- Voltage rating: 100V AC / DC
- Current rating: 1A Max. AC / DC
- Withstanding voltage: 300V AC/minute
- Temperature range: -40°C~+105°C
- Insulation resistance:≥100MΩ
- Contact resistance: ≤20mΩ
- After environmental testing: ≤40mΩ
- Mates With ADZL Terminal: 1004T/1018T



1004 H - XX X - N0 HF XX
 ① ② ③ ④ ⑤ ⑥ ⑦

- ① Series No.
- ② Category: H-Housing
- ③ Row No.-Pin No: XX-02-15Pin
- ④ Special code:
- ⑤ Plastic material: N0- PA66 UL94V-0
- ⑥ HF-Halogen Free
- ⑦ Color: Natural



Poles	Dimensions (mm)		
	A	B	C
2	3.70	1.00	2.40
3	4.70	2.00	3.40
4	5.70	3.00	4.40
5	6.70	4.00	5.40

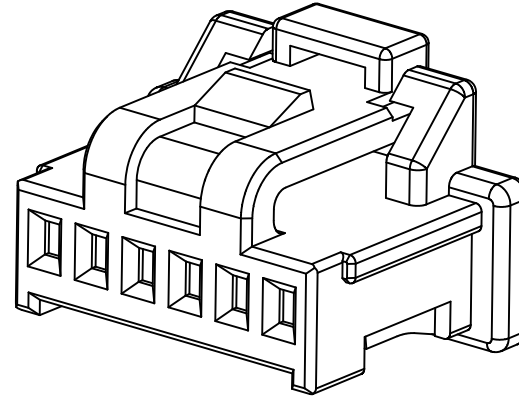
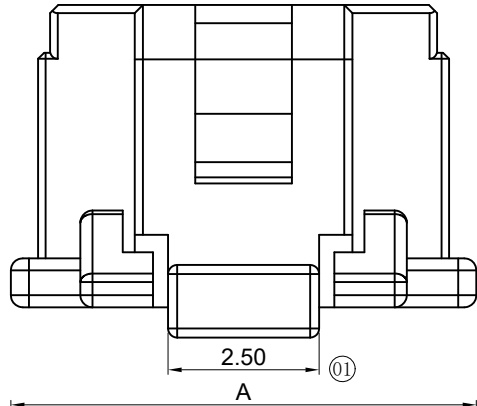
DATE	REV	ECN NO	DESCRIPTION	MODIFY	APPROVAL
1		2	3	4	5

GENERAL TOLERANCE	
.X	±0.35
.XX	±0.25
.XXX	±0.15
X.°	±2°
PROJECT	

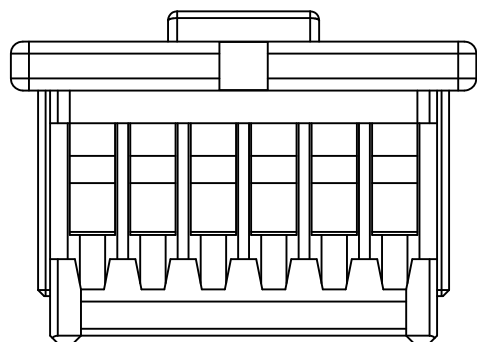
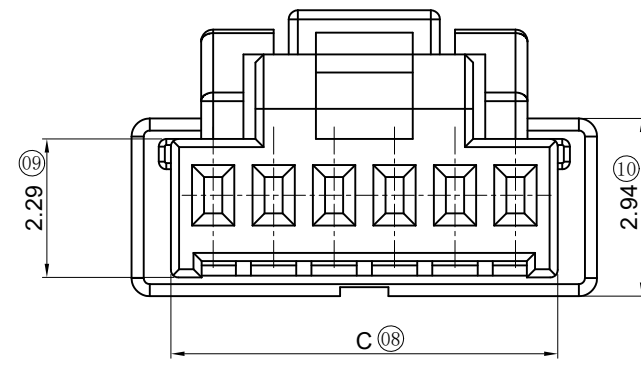
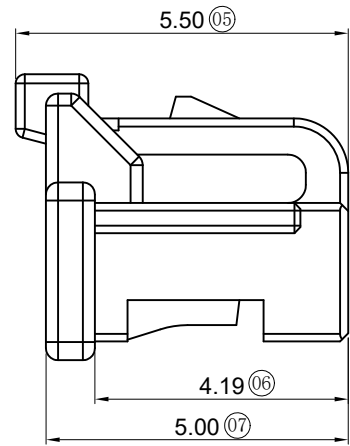
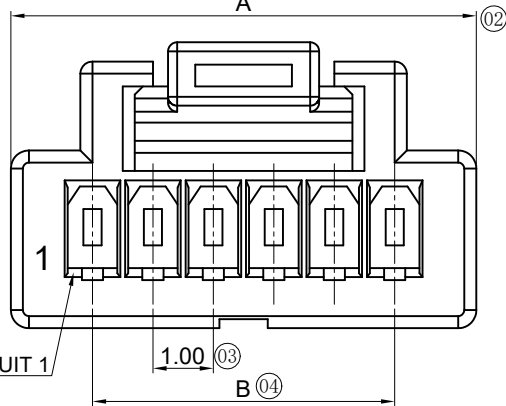
ADZL 东莞市思量连接器有限公司
 DONGGUAN ADZL CONNECTORS CO.,LTD.

APPROVAL	CHECK	DRAWN	DATE
Ken	Zhao Hong	Allen	2021/08/05

PART NO.				
1004H-XX-N0HF				
TITLE				
1.00mm Crimp Style Connectors				
UNIT	SCALE	SHEET	REV	NUMBER
mm	8:1	1/2		



- Specifications :
- Voltage rating: 100V AC / DC
 - Current rating: 1A Max. AC / DC
 - Withstanding voltage: 300V AC/minute
 - Temperature range: -40°C~+105°C
 - Insulation resistance: ≥100MΩ
 - Contact resistance: ≤20mΩ
 - After environmental testing: ≤40mΩ
 - Mates With ADZL Terminal: 1004T/1018T



1004 H - XX A - N0 HF XX
 ① ② ③ ④ ⑤ ⑥ ⑦

- ① Series No.
- ② Category: H-Housing
- ③ Row No.-Pin No: XX-02-15Pin
- ④ Special code: A-Inner Lock
- ⑤ Plastic material: N0- PA66 UL94V-0
- ⑥ HF-Halogen Free
- ⑦ Color: Natural

Poles	Dimensions (mm)			Poles	Dimensions (mm)		
	A	B	C		A	B	C
6	7.70	5.00	6.40	11	12.70	10.00	11.40
7	8.70	6.00	7.40	12	13.70	11.00	12.40
8	9.70	7.00	8.40	13	14.70	12.00	13.40
9	10.70	8.00	9.40	14	15.70	13.00	14.40
10	11.70	9.00	10.40	15	16.70	14.00	15.40

DATE	REV	ECN NO	DESCRIPTION	MODIFY	APPROVAL
1		2	3	4	5

GENERAL TOLERANCE

- .X ±0.35
- .XX ±0.25
- .XXX ±0.15
- X.° ±2°

PROJECT

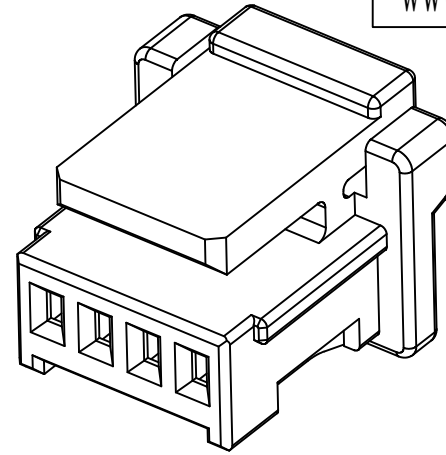
APPROVAL: Ken
 CHECK: Zhao Hong
 DRAWN: Allen
 DATE: 2021/08/05

PART NO. 1004H-XXA-N0HF				
TITLE 1.00mm Crimp Style Connectors				
UNIT	SCALE	SHEET	REV	NUMBER
mm	8:1	2/2		

RoHS

WWW.ADZLCONN.COM

TEL:0769-82285488



■ Specifications :

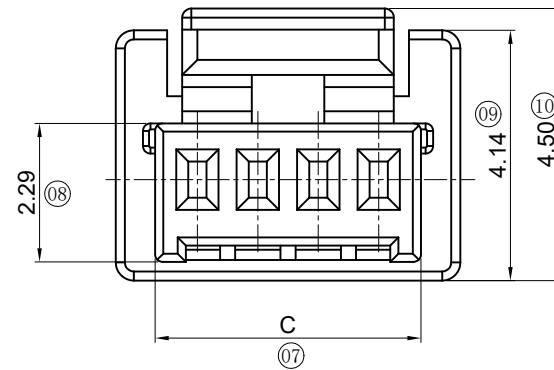
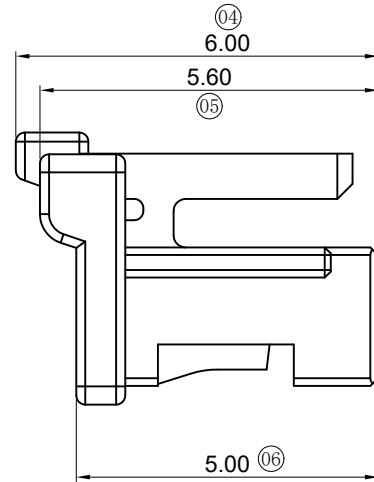
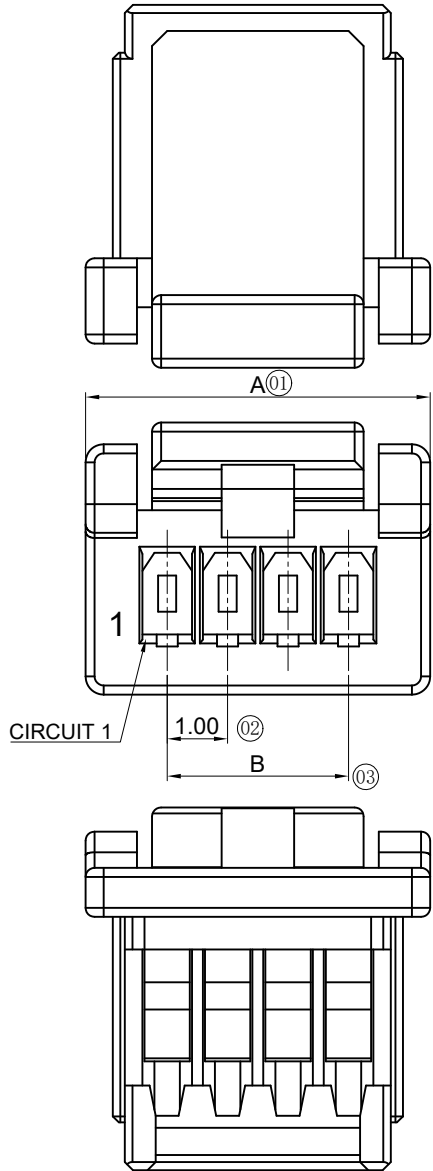
- Voltage rating: 100V AC / DC
- Current rating: 1A Max. AC / DC
- Withstanding voltage: 300V AC/minute
- Temperature range: -40°C~+105°C
- Insulation resistance: ≥100MΩ
- Contact resistance: ≤20mΩ
- After environmental testing: ≤40mΩ
- Mates With ADZL Terminal: 1004T/1018T

1004 H - XX B - N0 HF NC

① ② ③ ④ ⑤ ⑥ ⑦

- ① Series No.
- ② Category: H-Housing
- ③ Row No.-Pin No: XX-02-15Pin
- ④ Special code: B-Outer Lock
- ⑤ Plastic material: N0- PA66 UL94V-0
- ⑥ HF-Halogen Free
- ⑦ Color: Natural

Poles	Dimensions (mm)		
	A	B	C
3	4.70	2.00	3.40
4	5.70	3.00	4.40
5	6.70	4.00	5.40



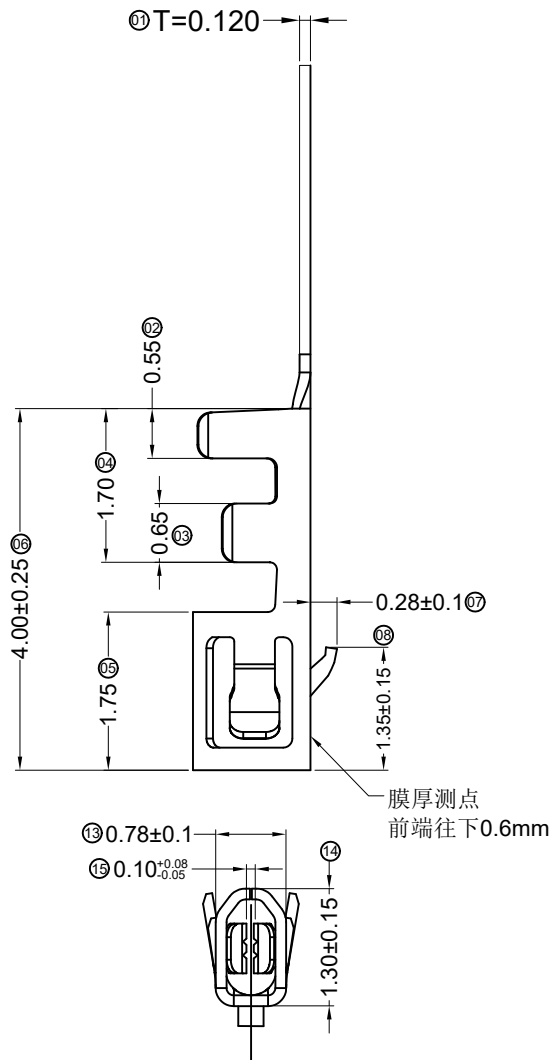
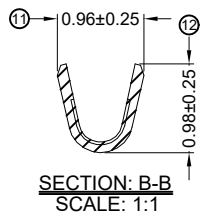
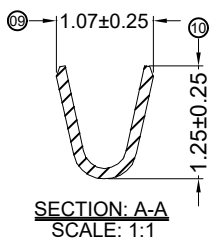
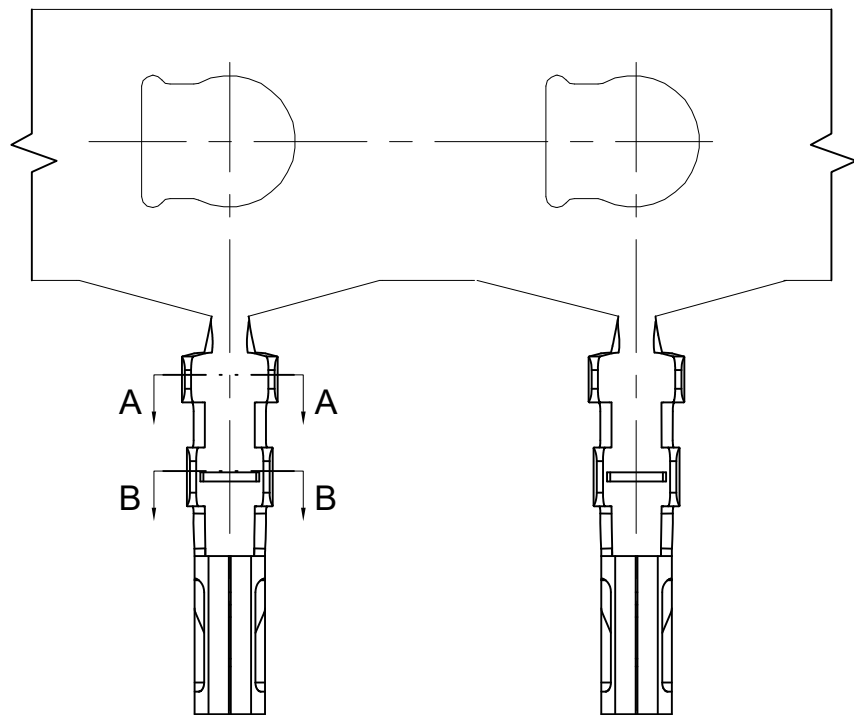
DATE	REV	ECN NO	DESCRIPTION	MODIFY	APPROVAL
1		2	3	4	5

GENERAL TOLERANCE	
.X	±0.35
.XX	±0.25
.XXX	±0.15
X.°	±2°
PROJECT	

ADZL 东莞市思量连接器有限公司
DONGGUAN ADZL CONNECTORS CO.,LTD.

APPROVAL	CHECK	DRAWN	DATE
Ken	Zhao Hong	Allen	2021/08/06

PART NO.				
1004H-XXB-N0HF				
TITLE				
1.00mm Crimp Style Connectors				
UNIT	SCALE	SHEET	REV	NUMBER
mm	8:1	1/1		



■ Specifications :

- Voltage rating: 50V AC / DC
- Current rating: 1A AC / DC
- Withstanding voltage: 250V AC/minute
- Temperature range: -25°C~+85°C
- Insulation resistance: ≥100MΩ
- Contact resistance: ≤20mΩ
- After environmental testing: ≤40mΩ

1018 T X-P XX X-X
① ② ③ ④ ⑤ ⑥ ⑦

- ① Series Number
- ② Category: T-terminal
- ③ Shape: Blank-ordinary
- ④ Material: P-Phosphor bronze
- ⑤ Plating style: V01-ALL GOLD FIASH ; SN-30~50u" Ni;70~120u"Sn
- ⑥ Plating method: Blank-Stamping before plating
- ⑦ Mold No./Mark/Special No.

1018T-PSN	Phosphor Bronze	AWG#28-32	0.80mm(Max)	Stamping Before Plating:30~50u" Ni;70~120u"Sn	1018H / 1004H
1018T-PV01				Stamping Before Pating:50u" Ni; Contact Gold FIASH	
PART NO	Material	Wire Range	Insulation O.D.	Finish	Used In ADZL Housing

DATE	OLD REV	NEW REV	ECN	DESCRIPTION	CHECK	APPROVAL

GENERAL TOLERANCE
.X ±0.30
.XX ±0.20
.XXX ±0.10

 东莞市思量连接器有限公司
DONGGUAN ADZL CONNECTORS CO.,LTD.

APPROVAL	CHECK	DRAWN	DATA
Ken	Zhao Hong	Allen	2023/10/17

PART NO. 1018T-PVXX			
TITLE 1.00mm Crimp Style Connectors			
UNIT MM	SCALE 1:1	NUMBER	REV